



Building essentials
for a better tomorrow™

EAGLE CORR PE™

DUAL WALL

MEETS AASHTO M252 AND AASHTO M294, AND ASTM F2648, F2306 AND ASTM F2648.
GASKETS MEET ASTM F477. JOINTS MEET ASTM D3212.



APPLICATIONS

JM Eagle's Eagle Corr PE Dual Wall pipe is suitable for use in gravity flow drainage in DOT/capitol improvement, residential, commercial, recreational, agricultural and irrigation applications.

DESCRIPTION

JM Eagle's Eagle Corr PE Dual Wall pipe in 4- to 10-inch diameters meets AASHTO M252 and ASTM F2648. In 12- to 60-inch diameters, it meets AASHTO M294 and ASTM F2306 and ASTM F2648. It comes in 20-foot lengths.

Eagle Corr PE Dual Wall features a dual-crown corrugated exterior for greater pipe stiffness values and a hydraulically smooth interior for maximum efficiency.

Its superior strength-to-weight ratio and flexible conduit design mean it will support H-25 live loads with a minimum cover of 1 foot, (except for 60-inch, which requires a 2-foot cover), while allowing for cover heights in excess of 100 feet.

A full line of soil-tight and watertight (10.8 psi) fabricated fittings are available for Eagle Corr PE, with custom fittings available upon request. Lubricant-free gaskets are also available.

BENEFITS

JM Eagle's Eagle Corr PE Dual Wall is better engineered for a more durable joint and long-lasting performance. Eagle Corr PE Dual Wall:

- Is made from HDPE, one of the most chemically inert plastics, and is extremely resistant to corrosion, as well as abrasion, gouging and scratching.
- Features dual crown corrugation for greater pipe stiffness values.
- Is expected to significantly exceed 100 years of design service life.
- Features an integral bell and dual-gasket spigot for a superior watertight connection.
- Saves money on installation costs due to its 20-foot lengths and light weight for easier handling and transport.

Revised 11/1/2010. This information may have been updated. Please download the latest version at www.jmeagle.com/onesheets.

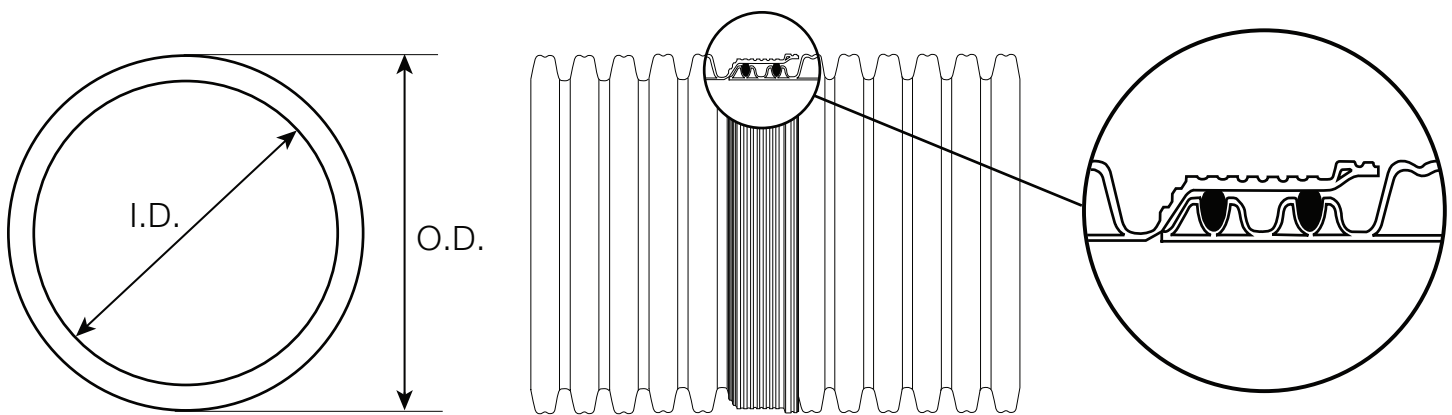


EAGLE CORR PE™

DUAL WALL

SUBMITTAL AND DATA SHEET

THIS SPECIFICATION REFERS TO 4"-60" PIPE FOR USE IN GRAVITY FLOW DRAINAGE APPLICATIONS.



NOMINAL I.D. IN (MM)	APPROX. O.D. IN (MM)	LAYING LENGTH (FT)	PIPE STIFFNESS PSI	AVERAGE UNIT WEIGHT LB/FT
4 (100)	5 (120)	20	50	0.4
6 (150)	7 (174)	20	50	1.1
8 (200)	9 (231)	20	50	1.7
10 (250)	11 (290)	20	50	2.5
12 (300)	14 (363)	20	50	3.2
15 (375)	17 (444)	20	42	4.8
18 (450)	21 (529)	20	40	6.3
24 (600)	28 (699)	20	34	11.2
30 (750)	35 (880)	20	28	15.8
36 (900)	42 (1055)	20	22	20.9
42 (1050)	47 (1204)	20	20	26.9
48 (1200)	54 (1367)	20	18	34.0
60 (1500)	67 (1693)	20	14	56.0

PRODUCT STANDARD: 4"- 10" AASHTO M252 and ASTM F2648
12"- 60" AASHTO M294, ASTM F2306 and ASTM F2648

PIPE COMPOUND: ASTM D3350

GASKET: ASTM F477

JOINT PERFORMANCE: ASTM D3212

FITTINGS: AASHTO M252; AASHTO M294; AASHTO F2306; ASTM F2638

INSTALLATION: ASTM D2321; Eagle Corr PE Installation Guide

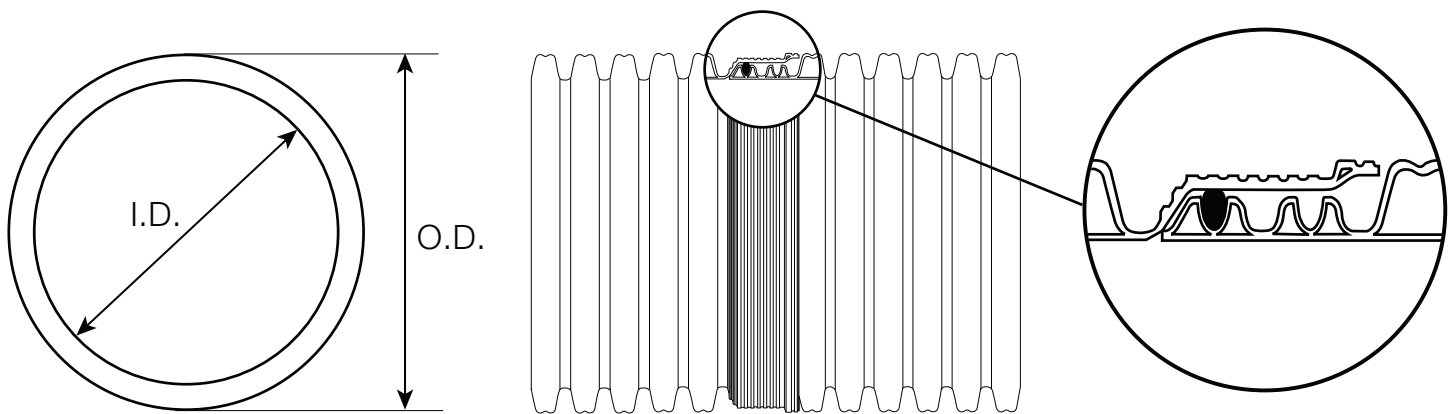
Revised 11/1/2010. This information may have been updated. Please download the latest version at www.jmeagle.com/onesheets.

EAGLE CORR PE

4"-10" DUAL WALL

SUBMITTAL AND DATA SHEET

THIS SPECIFICATION REFERS TO 4"-10" PIPE FOR USE IN GRAVITY FLOW DRAINAGE APPLICATIONS.



NOMINAL I.D. IN (MM)	APPROX. O.D. IN (MM)	LAYING LENGTH (FT)	PIPE STIFFNESS PSI	AVERAGE UNIT WEIGHT LB/FT
4 (100)	5 (120)	20	50	0.4
6 (150)	7 (174)	20	50	1.1
8 (200)	9 (231)	20	50	1.7
10 (250)	11 (290)	20	50	2.5

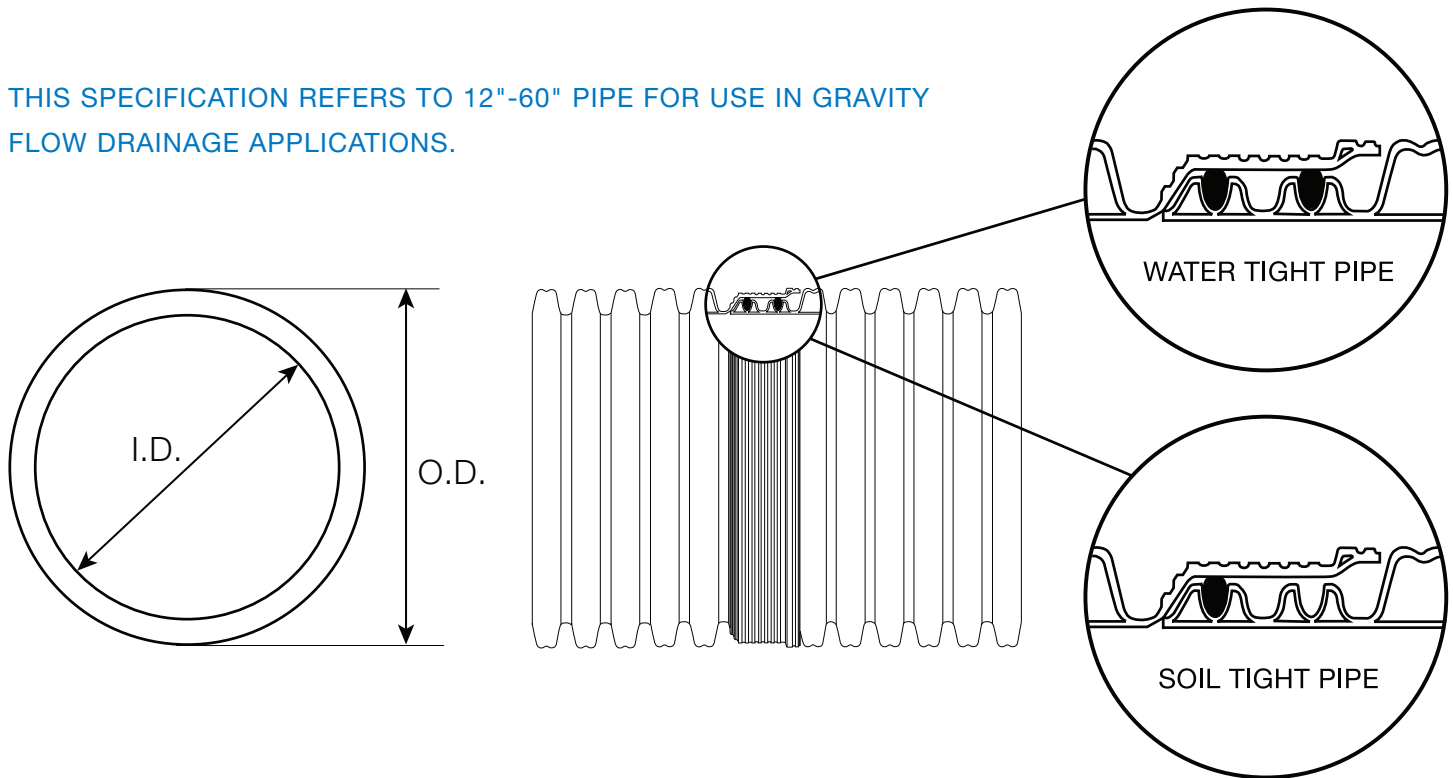
PRODUCT STANDARD:	4"-10" AASHTO M252 and ASTM F2648
PIPE COMPOUND:	ASTM D3350
GASKET:	ASTM F477
JOINT PERFORMANCE:	ASTM D3212
FITTINGS:	AASHTO M252; AASHTO F2306; ASTM F2638
INSTALLATION:	ASTM D2321; Eagle Corr PE Installation Guide

EAGLE CORR PE

12"–60" DUAL WALL

SUBMITTAL AND DATA SHEET

THIS SPECIFICATION REFERS TO 12"-60" PIPE FOR USE IN GRAVITY FLOW DRAINAGE APPLICATIONS.



NOMINAL I.D. IN (MM)	APPROX. O.D. IN (MM)	LAYING LENGTH (FT)	PIPE STIFFNESS PSI	AVERAGE UNIT WEIGHT LB/FT
12 (300)	14 (363)	20	50	3.2
15 (375)	17 (444)	20	42	4.8
18 (450)	21 (529)	20	40	6.3
24 (600)	28 (699)	20	34	11.2
30 (750)	35 (880)	20	28	15.8
36 (900)	42 (1055)	20	22	20.9
42 (1050)	47 (1204)	20	20	26.9
48 (1200)	54 (1367)	20	18	34.0
60 (1500)	67 (1693)	20	14	56.0

PRODUCT STANDARD: 12"-60" AASHTO M294, ASTM F2306 and ASTM F2648

PIPE COMPOUND: ASTM D3350

GASKET: ASTM F477

JOINT PERFORMANCE: ASTM D3212

FITTINGS: AASHTO M294; AASHTO F2306; ASTM F2638

INSTALLATION: ASTM D2321; Eagle Corr PE Installation Guide